



120V AC 10-Year Worry-Free Smoke Alarm

with 10-Year Sealed-in Battery Backup



Part Number **i12010S-CA** Model **i12010SCA**
10-Year Limited Warranty

Ionization Technology

Test/Hush® Button

120V AC Direct Wire

- Interconnects with up to 24 devices

10-year Sealed Lithium Battery Backup



Features and Benefits

- **Ionization Technology** – may detect invisible fire particles (associated with flaming fires) sooner than photoelectric alarms.
- **120V Interconnectable** – Will interconnect with up to 24 other devices (18 of which can be initiating), including smoke alarms (limit of 12), CO and heat alarms.
- **10-Year Sealed Lithium Battery Backup** – Eliminates the need to replace the battery. No battery to replace for the life of the alarm (10 years). Battery backup automatically activates when the alarm is attached to mounting bracket.
- **Multi-function One Button Design includes:**
 - **Hush® Feature** – Temporarily silences nuisance alarms for approximately 9 minutes (smoke must be present before Hush® is activated).
 - **Test Feature** – Simultaneously tests the unit's electronics and verifies alarm operation.
 - **Reset Feature** – Resets the carbon monoxide alarm
- **Tamper Resist Feature** – Unit will lock to mounting bracket to deter theft or tampering.
- **End of Life Notification** – Ten (10) years after unit is first powered, this alarm will chirp twice every 30 seconds to indicate it is time to replace the alarm.
- **End of Life Hush Feature** – Allows you to temporarily silence End of Life chirp 3 days at a time for a maximum of 30 day life extension.



Architectural and Engineering Specifications

The smoke alarm shall be Kidde Model i12010SCA or approved equal. It shall be powered by a 120V AC, 60Hz source with one 3V sealed lithium battery backup. The temperature operating range shall be between 4.4°C and 37.8°C (40° and 100°F) and the humidity operating range shall be up to 95% relative humidity, non-condensing.

The unit shall incorporate an ionization sensor with nominal sensitivity of 0.68 ± 0.18%/ft.

The smoke alarm can be installed on any standard single gang electrical box or a 4" octagon junction box. The electrical connection (to the alarm) shall be made with a plug-in connector.

A maximum of 24 Kidde devices can be interconnected in a multiple station arrangement. The interconnect system must not exceed the NFPA (National Fire Protection Association) limit of 18 initiating devices, of which 12 can be smoke alarms. With 18 initiating devices (Smoke, heat, CO, etc), interconnected, it is still possible to interconnect 6 strobe lights and/or relay modules.

The alarm shall provide optional tamper resistance that deters removal of the unit from the wall or ceiling. No additional pieces shall be required to activate this feature.

The alarm shall include a test button that will electronically simulate the presence of smoke and cause the unit to go into alarm. This sequence tests the unit's electronics, battery and horn to ensure proper operation.

The unit shall include a piezoelectric horn that is rated at 85 decibels at 10 feet. The unit shall include the Hush® feature that silences the unit for approximately 9 minutes if a nuisance condition occurs.

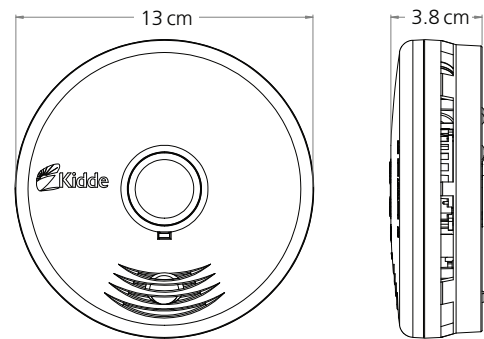
The unit shall indicate a low battery condition with a brief alarm chirp and red LED flash once every 60 seconds. In standby condition, the green LED will be constantly on when powered by AC, and flash every 60 seconds when powered by only battery backup. The green LED will also flash every 2 seconds when in Hush mode, and every 16 seconds in Memory Condition.

The smoke alarm shall include an End of Life Notification, where ten years after initial power-up the unit shall chirp two times every 30 seconds to indicate the alarm needs to be replaced. The End of Life signal can be silenced three days at a time for a maximum of 30 days. The unit shall have a deactivation switch to disable it and make it safe for disposal.

The unit shall at a minimum meet the requirements of CAN/ULC-S531. It shall also include a 10-year manufacturer's limited warranty.

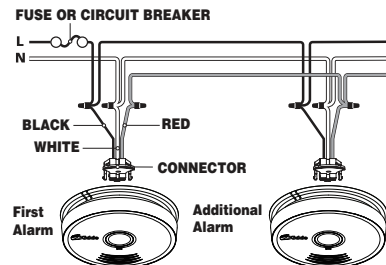
Technical Specifications

Power Source:	120V AC, 60 Hz, 45 mA max per alarm, sealed 3V lithium battery backup
Sensor:	Ionization
Audio Alarm:	85 dB at 10 ft
Temperature Range:	4.4°C (40°F) to 37.8°C (100°F)
Humidity Range:	10%-95% relative humidity, non-condensing
Size:	13 cm diameter x 3.8 cm depth
Weight:	0.18 kg
Wiring:	Quick connect plug with 6" pigtails
Interconnects:	Up to 24 Kidde devices (of which 18 can be initiating)
Warranty:	10-year limited



Installation of Alarm

The smoke alarm should be installed to comply with all local codes having jurisdiction in your area. Make certain all alarms are wired to a single, continuous (non-switched) power line, which is not protected by a ground fault interrupter. A maximum of 305 m (1000') of wire can be used in the interconnect system. Use standard CSA listed household wire as required by code.



Ordering Information

UPC: 0-47871-11607-2

Part Number	I2 of 5	Pack Quantity	Case Dimensions (w x d x h centimeters)	Case Weight	Case/Skid
i12010S-CA	100-47871-11607-9	6 units	16.5 cm x 34.5 cm x 16 cm	2.08 kg	126



Kidde Canada Inc.
P.O. Box 40, Apsley, ON K0L 1A0
1-800-880-6788
www.kiddecanada.com

Distributed by: